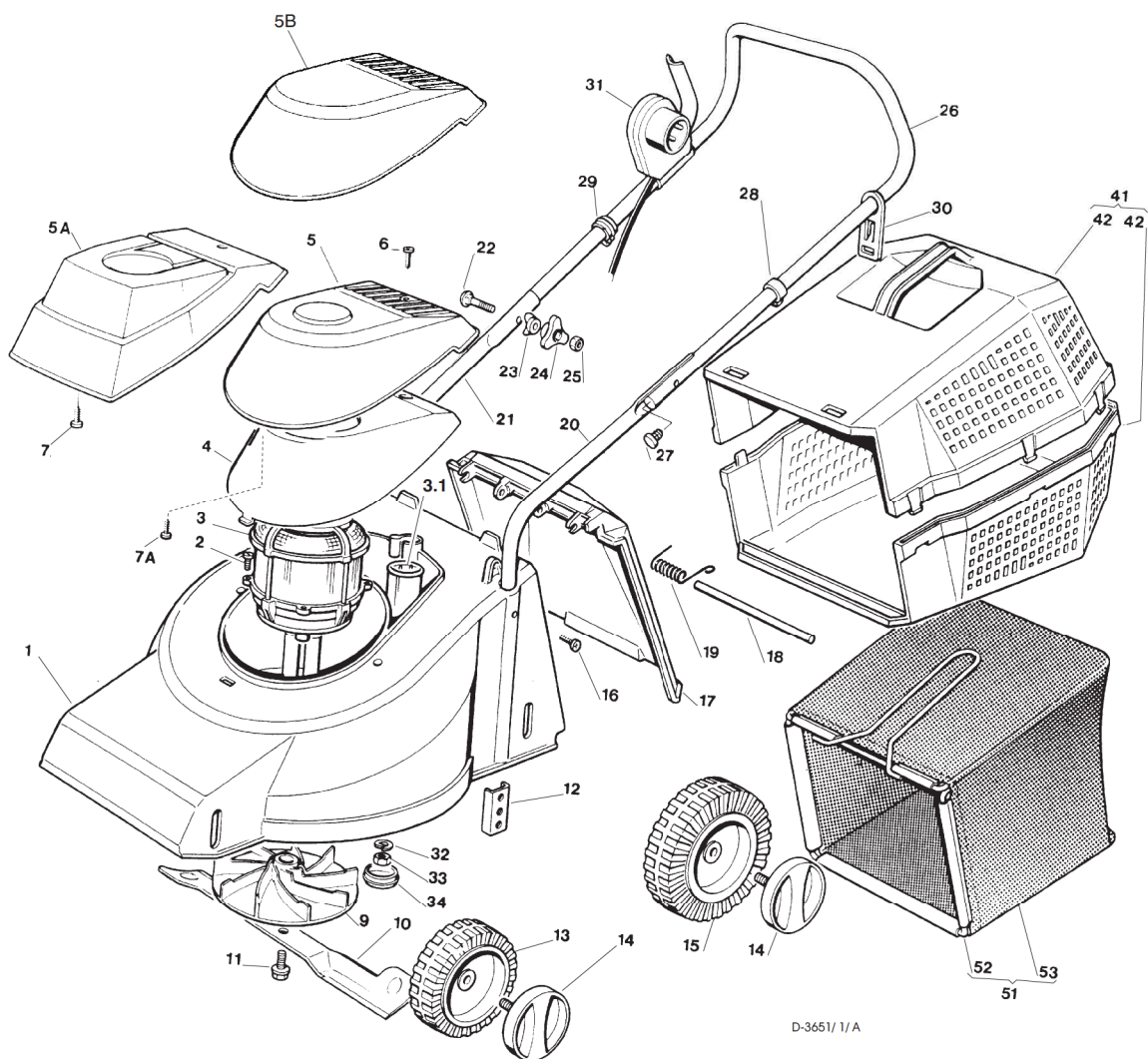


K 390



D-3651/1/A

SPARE PARTS CATALOGUE

GB

ERSATZTEILKATALOG

D

CATALOGO DELLE PARTI
DI RICAMBIO

I

CATALOGUE DES PIÈCES
DE RECHANGE

F

T-3651/1/A

| Pos. Nr. | Code Code Kodex | Q.tà Q.ty-Q.tè Menge | Descrizione | Description | Description | Beschreibung |
|----------|-----------------|----------------------|--------------------|--------------------|--------------------|--------------------|
| 1 | | | CHASSIS | DECK | CHÂSSIS | GEHÄUSE |
| — | 81001481/0 | 1 | ROSSO | RED | ROUGE | ROTES |
| — | 81001482/0 | 1 | GIALLO | YELLOW | JAUNE | GELBES |
| — | 81001480/0 | 1 | VERDE | GREEN | VERT | GRÜNES |
| 2 | 12735410/0 | 4 | VITE | SCREW | VIS | SCHRAUBE |
| 3 | | | MOTORE | MOTOR | MOTEUR | MOTOR |
| — | 18563065/0 | 1 | IBMEI 1200W (230V) | IBMEI 1200W (230V) | IBMEI 1200W (230V) | IBMEI 1200W (230V) |
| — | 18563067/0 | 1 | IBMEI 1200W (240V) | IBMEI 1200W (240V) | IBMEI 1200W (240V) | IBMEI 1200W (240V) |
| 3.1 | 18222036/0 | 1 | CONDENSATORE 12 µF | CONDENSER 12 µF | CONDENSEUR 12 µF | KONDENSATOR 12 µF |
| 4 | 22055032/0 | 1 | SUP. CAPOTTINA | COVER SUPPORT | SUPPORT CAPOT | HAUBEHALTER |
| 5 | 81002007/0 | 1 | ASS. CAPOTTINA | COVER ASS.Y | ENS. CAPOT | KOMPLETTE HAUBE |
| 5A | 22055037/1 | 1 | CAPOTTINA | COVER | CAPOT | HAUBE |
| 5B | 22055059/0 | 1 | CAPOTTINA | COVER | CAPOT | HAUBE |
| 6 | 12728680/0 | 1 | VITE | SCREW | VIS | SCHRAUBE |
| 7 | 12728450/0 | 1 | VITE | SCREW | VIS | SCHRAUBE |
| 7A | 12728680/0 | 1 | VITE | SCREW | VIS | SCHRAUBE |
| 9 | 22465602/0 | 1 | MOZZO | HUB | MOYEU | NABE |
| 10 | 81004117/1 | 1 | COLTELLO | BLADE | LAME | MESSER |

| Pos. Nr. | Codice Code Kodex | Q.tà Q.ty-Q.tè Menge | Descrizione | Description | Description | Beschreibung |
|----------|-------------------|----------------------|-----------------------|------------------------------------|---------------------------------|-------------------------------|
| 11 | 81004352/0 | 1 | VITE | SCREW | VIS | SCHRAUBE |
| 12 | 22785087/1 | 4 | SUPP. RUOTE | WHEELS SUPPORT | SUPPORT ROUE | RADHALTER |
| 13 | 22686081/0 | 2 | RUOTA Ø 130 | WHEEL Ø 130 | ROUE Ø 130 | RAD Ø 130 |
| 14 | | | COPRIMOZZO | HUB CAP | COUVRE-MOYEU | RADKAPPE |
| — | 81004348/0 | 4 | BIANCO | WHITE | BLANC | WEIßE |
| — | 81004347/0 | 4 | GIALLO | YELLOW | JAUNE | GELBE |
| — | 81004354/0 | 4 | ROSSO | RED | ROUGE | ROTE |
| 15 | 22686082/0 | 2 | RUOTA Ø 160 | WHEEL Ø 160 | ROUE Ø 160 | RAD Ø 160 |
| 16 | 12728450/0 | 2 | VITE | SCREW | VIS | SCHRAUBE |
| 17 | 22600044/1 | 1 | PARASSASSI | STONE-GUARD | PARE-PIERRES | PRALLBLECH |
| 18 | 22512601/0 | 1 | PERNO | PIN | PIVOT | BOLZEN |
| 19 | 22450250/0 | 1 | MOLLA | SPRING | RESSORT | FEDER |
| 20 | 81006940/0 | 1 | MANICO INF. SX | L. LOWER HANDLE | MANCHERON INF. G. | L. UNTERHOLM |
| 21 | 81006939/0 | 1 | MANICO INF. DX | R. LOWER HANDLE | MANCHERON INF. D. | R. UNTERHOLM |
| 22 | 12819120/0 | 2 | VITE | SCREW | VIS | SCHRAUBE |
| 23 | 22680006/1 | 2 | RONDELLA | WASHER | RONDELLE | SCHEIBE |
| 24 | 22399900/0 | 2 | MANOPOLINA | KNOB | POIGNÉE | GRIF |
| 25 | 12293200/0 | 2 | DADO | NUT | ECROU | MUTTER |
| 26 | 81006941/2 | 1 | PARTE SUP. MANICO | UPPER HANDLE | PARTIE SUP. MANCHERON | OBERHOLM |
| 27 | 18566112/0 | 2 | TAPPO | CAP | BOUCHON | GUMMISTOPFEN |
| 28 | 22192151/0 | 1 | FERMACAVO | FAIRLEAD | FIXATION CABLE | KABELBEFESTIGUNG |
| 29 | 22192000/1 | 1 | FASCETTA ANCORAGGIO | ANCHOR CLAMP | COLLIER ANCRAGE | BOWDENZUGHALTER |
| 30 | 22195101/1 | 1 | FERMACAVO | FAIRLEAD | FIXATION CABLE | KABELBEFESTIGUNG |
| 31 | | | SALVAMOTORE M.M. | DEAD HAND SWITCH M.M. | INT. MAIN MORTE M.M. | TOT MANSCHALTER M.M. |
| — | 18710561/0 | 1 | 7 A 602 MS (1200W) | 7 A 602 MS (1200W) | 7 A 602 MS (1200W) | 7 A 602 MS (1200W) |
| — | 18710608/0 | 1 | 7 A 603 MS (1200W) | 7 A. 603 MS (1200W) | 7 A 603 MS (1200W) | 7 A 603 MS (1200W) |
| — | | | SOLO PER SVIZZERA | ONLY FOR SWITZERLAND | SEULEMENT POUR LA SUISSE | NUR FÜR SCHWEIZ |
| — | 18710620/1 | 1 | 7 A 607 MS (1200W) | 7 A 607 MS (1200W) | 7 A 607 MS (1200W) | 7 A 607 MS (1200W) |
| — | 18710626/1 | 1 | SENZA PROT. TERMICA | 601 MS WITHOUT OVERLOAD PROTECTION | 601 MS SANS PROTECTION TERMIQUE | 601 MS OHNE THERMISCHER SHUTZ |
| — | 18710627/0 | 1 | SENZA PROT. TERMICA | 603 MS WITHOUT OVERLOAD PROTECTION | 603 MS SANS PROTECTION TERMIQUE | 603 MS OHNE THERMISCHER SHUTZ |
| 32 | 12540260/0 | 1 | GROWER | GROWER | GROWER | FEDERRING |
| 33 | 12293200/0 | 1 | DADO | NUT | ECROU | MUTTER |
| 34 | 22110275/0 | 1 | TAPPO | CAP | BOUCHON | GUMMISTOPFEN |
| 41 | 97008000/0 | 1 | SACCO COMPLETO | COMPLETE GRASS-BOX | BAC COMPLET | KOMPLETTER KORB |
| 42 | 22486069/0 | 2 | PARTE INF.-SUP. SACCO | UPPER. LOWER GRASS-BOX | PARTIE SUP.-INF. SAC | OBER-UNTERKORB |
| 51 | 97007000/0 | 1 | ASS. SACCO TELA | CANVASS GRASSCATCHER | ENSEMBLE SAC EN TOILE | KOMPLETTER SACK |
| 52 | 81006417/0 | 1 | TELAIO | CHASSIS | CHASSIS | RAHMEN |
| 53 | 81002147/0 | 1 | TELA SACCO | FABRIC BOX | TOILE POUR SAC | TUCK FÜR SACK |
| — | 81008592/0 | 1 | DOTAZIONE VITERIA | SCREWS OUTFIT | DOTATION VISSERIE | SCHRAUBEN SATZ |